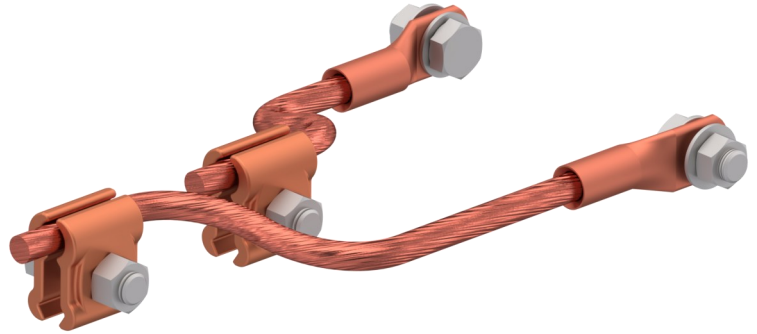


Cable bridge type KB1

V 2025/07

Conversion kit from neutral section to section insulator

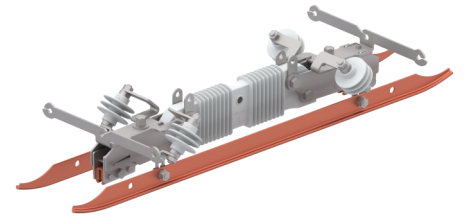
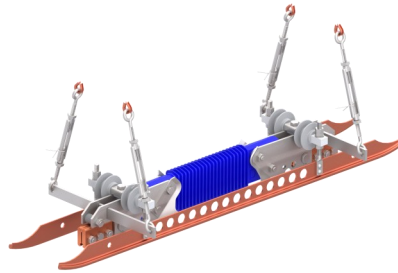
Cable bridge type KB1 art. no. 615.330.000



Suitable for section insulator types

F-type

V-type



Index

A. Tools.....	1
B. Installation of long overlap	2
C. Installation of short overlap	3
D. Legal information	4

Before the cable bridge can be installed, the section insulator must be installed in the overhead contact line in accordance to the relevant installation instructions.

The cable bridge can be executed as long or short overlap. Which option to be chosen is in the responsibility of the railway operator.



RISK OF DEATH

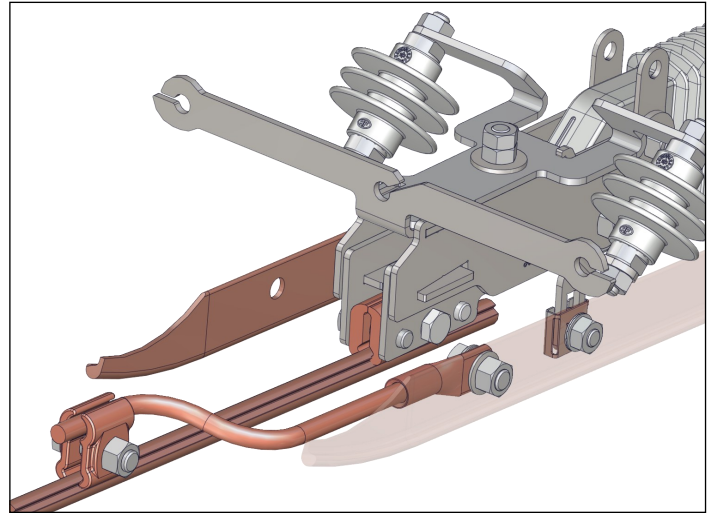
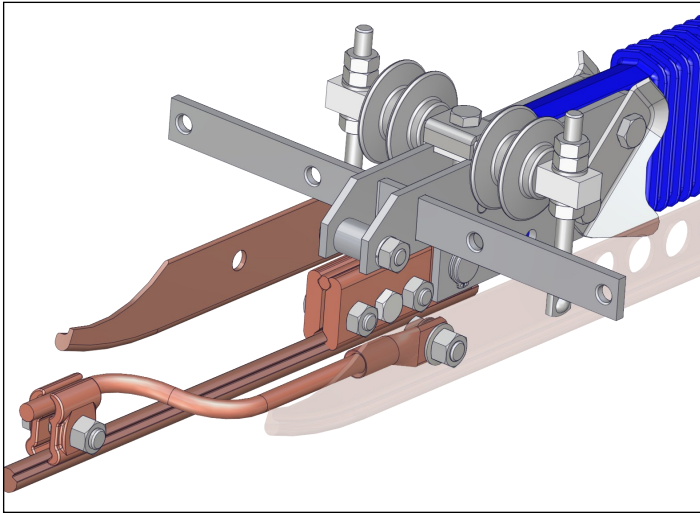
Before working on the overhead line: Ensure that the overhead line is de-energized and properly grounded according to the regulations.

A) Tools

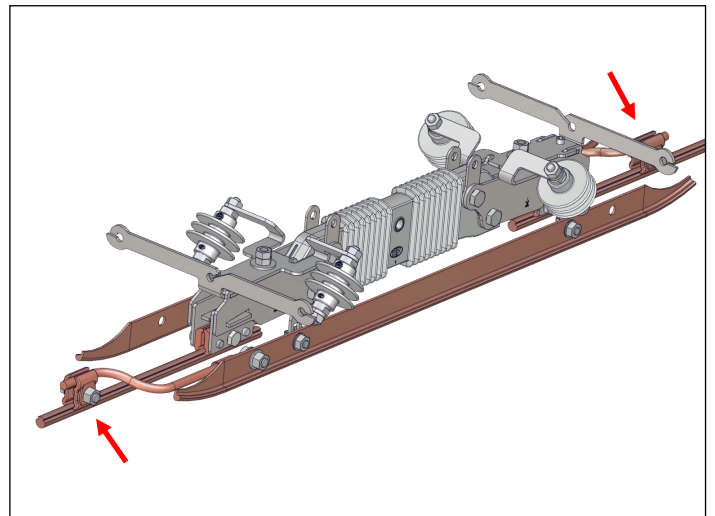
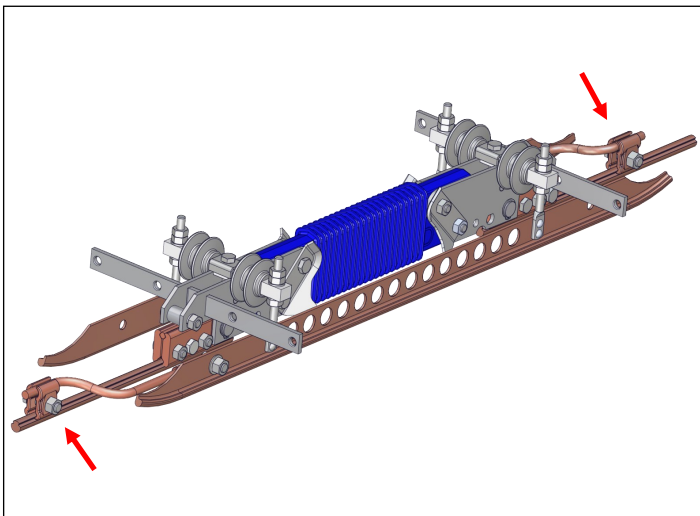
- 1 Ring spanner 19 mm
- 1 Torque wrench 19 mm (50 Nm)

B) Installation of long overlap

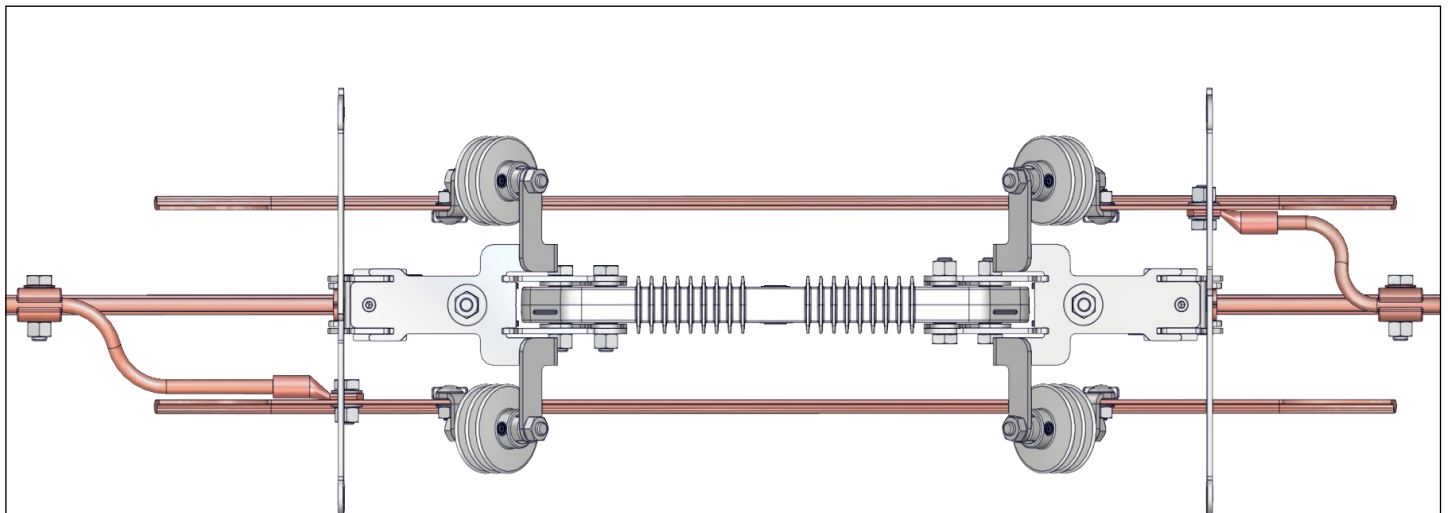
1. Attach one end of the cable with the bolt and nut (19 mm) to the runner.
2. Attach the contact wire clamp (19 mm) to the contact wire.



3. Tighten all bolts and nuts with a torque wrench to **50 Nm**.
4. Install one cable brige on each side of the section insulator simultaneously.

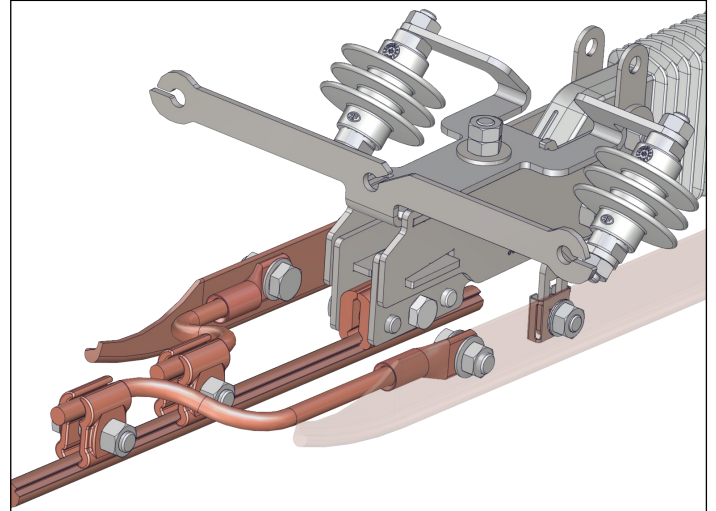
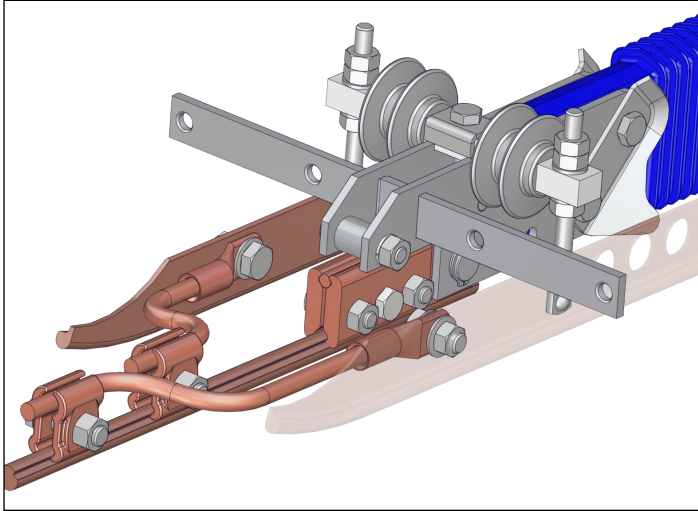


Layout of long overlap:

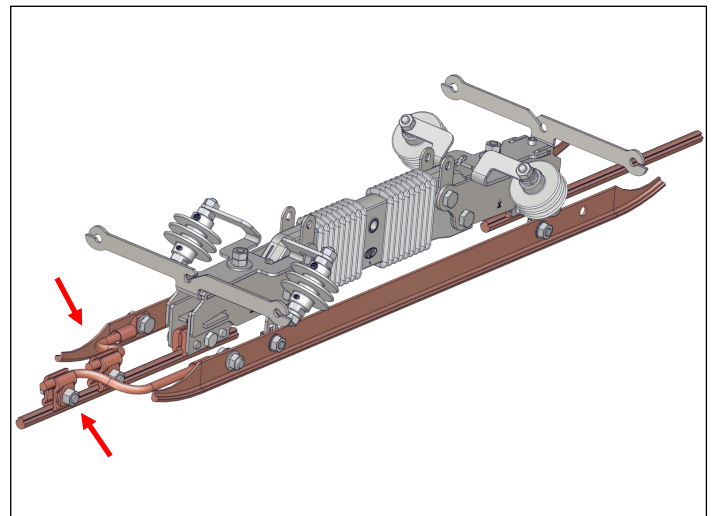
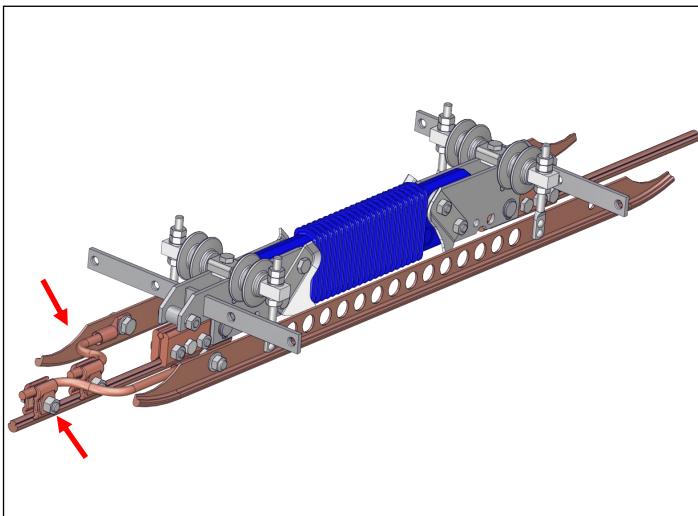


C) Installation of short overlap

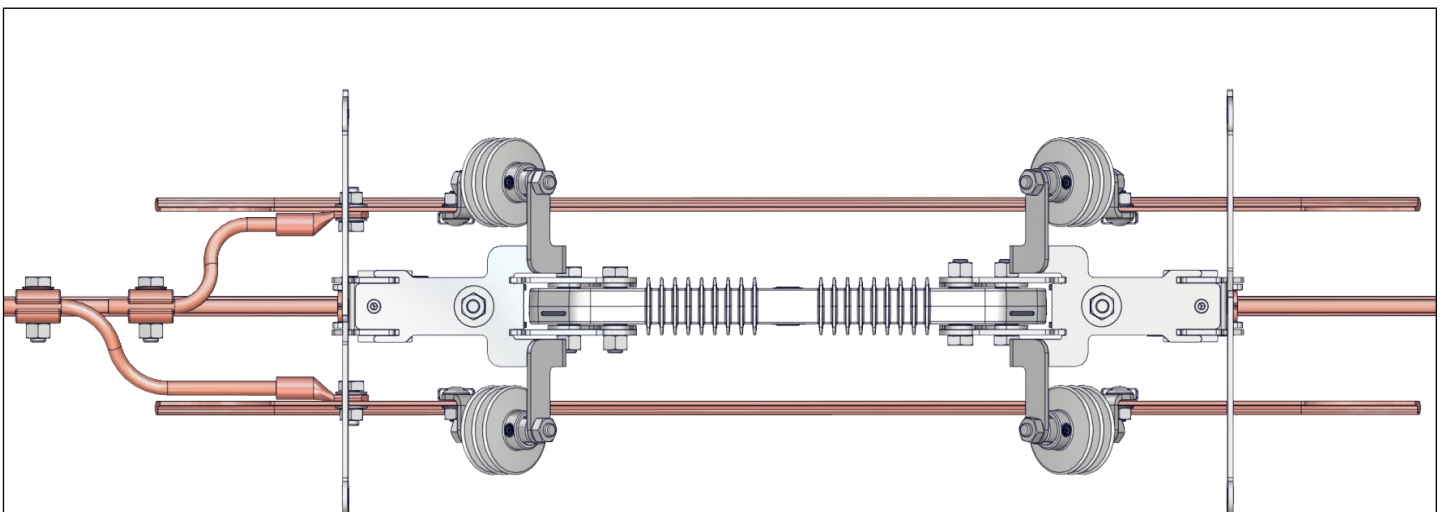
1. Attach one end of the cable with the bolt and nut (19 mm) to the runner.
2. Attach the contact wire clamp (19 mm) to the contact wire.



3. Tighten all bolts and nuts with a torque wrench to **50 Nm**.
4. Install two cable bridges on the same side of the section insulator.



Layout of short overlap:



D) Legal information

The product must only be operated by trained specialists.

The product can be permanently damaged by loads that exceed the maximum values. If the product is exposed to absolute maximum loading for an extended period, it may impair the product's reliability and life. Arthur Flury AG will not accept any liability in this case.

Arthur Flury AG will not accept any liability for incorrect use and use for applications other than those specified in these instructions.

If damage to the product is suspected, any use or operation must be stopped immediately. Arthur Flury AG will not accept any liability in the event of continued use despite suspected damage.

Due to the diverse ways in which this product can be used, the instructions for use represent a general guide only and do not constitute a guarantee of the product's suitability for use in a specific application. The user is responsible for checking the full product data and clarifying the product's suitability for the intended use. The user is responsible for the choice of product and compliance with all the safety regulations and warnings. Please contact Arthur Flury AG if you require additional product information.

Our products comply with the current legal requirements and regulations (including RoHS, REACH, WEEE) in the markets where we operate. Please refer to Arthur Flury AG's Code of Conduct, available on our website, for further information.

These instructions are intended to provide the customer with information and should not be supplied unless accompanied by the product. The products and information in this publication require appropriately trained specialist personnel. Despite the greatest care being taken, the instructions may contain inaccuracies or typographical errors for Arthur Flury AG will not accept any liability. Arthur Flury AG may amend the instructions at any time, without notice, in the interests of technical progress. The customer is responsible for downloading an up-to-date version of the instructions from Arthur Flury AG's website before using the product.

Any brand and product names used in these instructions are registered marks ® or trademarks™ of their respective owners.

Arthur Flury AG will not accept any liability for damage incurred as a result of failure to comply with these instructions.